

Raptus Bag Collector

The challenge to engineer solutions encompassing OH&S, environmental solutions as well as energy consumption has now been met by the introduction of Virgin Environmental's latest product. The brand new Raptus Bag Collector, the best technology of its type in the world, is considered critical to our growth strategy as a leading filtration supplier in Australia.

The Raptus Bag Collector allows for a large variety of applications including mining & quarry, woodworking, engineering, building, construction, furniture manufacturing, food processing and grain handling; potentially wherever dusts and fines pose an OH&S or environmental issue.

This technology is fully welded to increase durability, whilst the design and assembly method reduces installation costs. It achieves optimal airflow and minimal abrasion through engineered designed inlets, deflector plates and maximum bag spacing for efficient velocity. Once installed, the Virgin Environmental, Raptus Bag Collector will require minimal ongoing maintenance thus providing an efficient and reliable ducting and dust collection system.

P 1300 724 438 F 1300 655 105

E info@virginenvironmental.com.au

A PO Box 697 Burpengary Q 4505

www.virginenvironmental.com.au

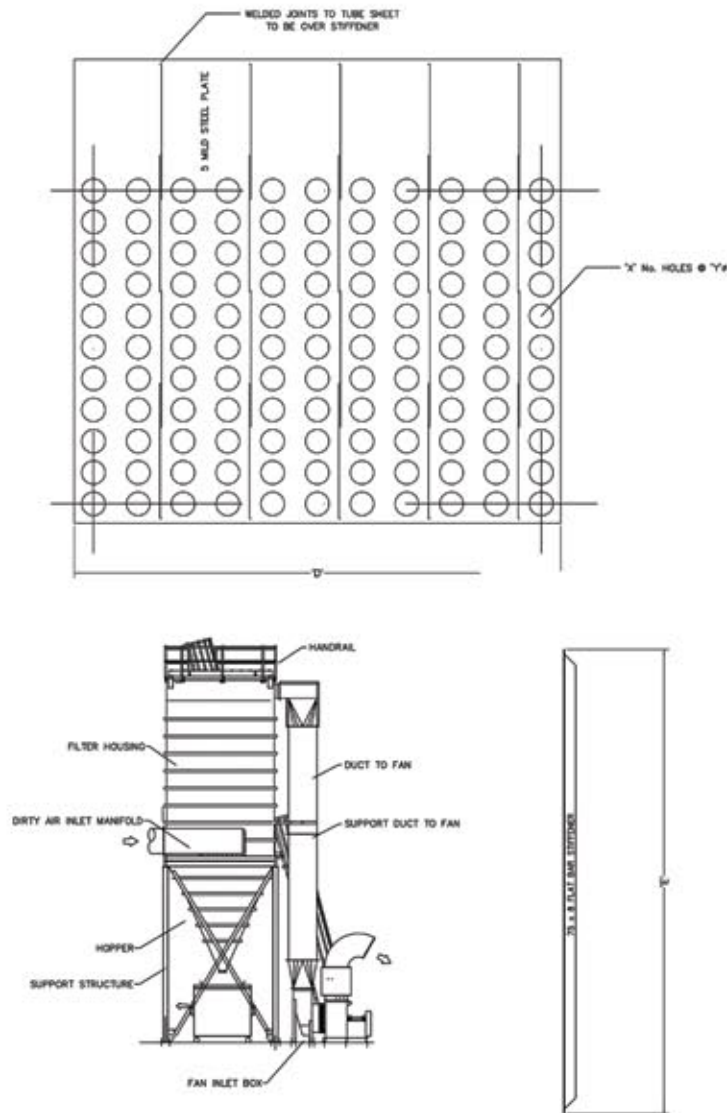


Filter Bags

Tool-free installation is made even easier by the access provided on the clean-air side of the collector.

Additionally, the filter bags and cages can be easily replaced, as each collector is equipped with a quick-release mechanism.

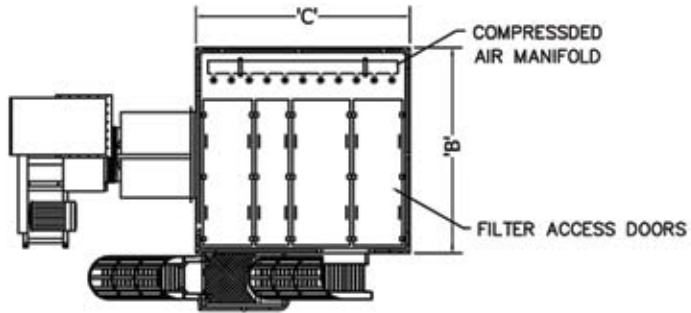
Further more, the collector can be custom made to any size by arranging the filters to suit the designed dimensions.



VIRGIN
enVironMENTAL

Dust Collection & Filtration Services

Raptus Bag Collector



PLAN VIEW

Features

1. Constructed from 3mm mild steel
2. Pyramid or trough hopper
3. 3 metre to 5 metre filter bags
4. Pulse on demand controllers
5. 3 cubic metre bin or 44 gallon drums
6. Venturis on filter as standard
7. Fully welded construction modules
8. Access plate forms and ladders
9. Clean side filter change
10. Tool-free filter change feature
11. Various bag media

Optional Extras

1. Rotary or double dump valve hopper
2. Walk-in clean air plenum
3. Stairs instead of ladders
4. Painted or powder coated exterior finishes
5. Epoxy internal lining
6. Broken bag detectors
7. Clean air stack



VIRGIN
enVironMENTAL

Dust Collection & Filtration Services

P 1300 724 438 F 1300 655 105

E info@virginenvironmental.com.au

A PO Box 697 Burpengary Q 4505

www.virginenvironmental.com.au