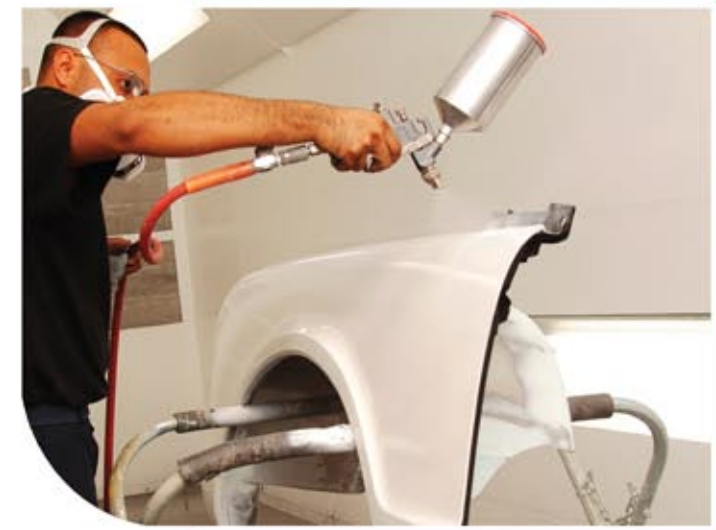
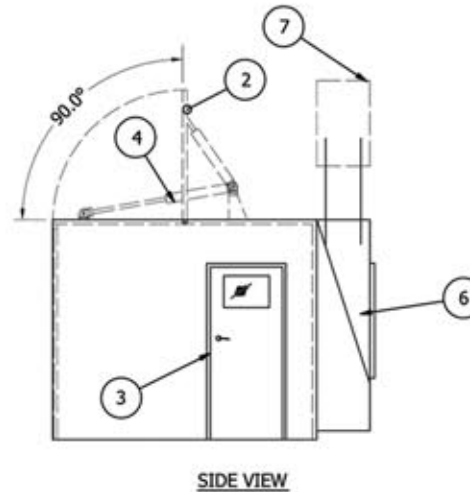
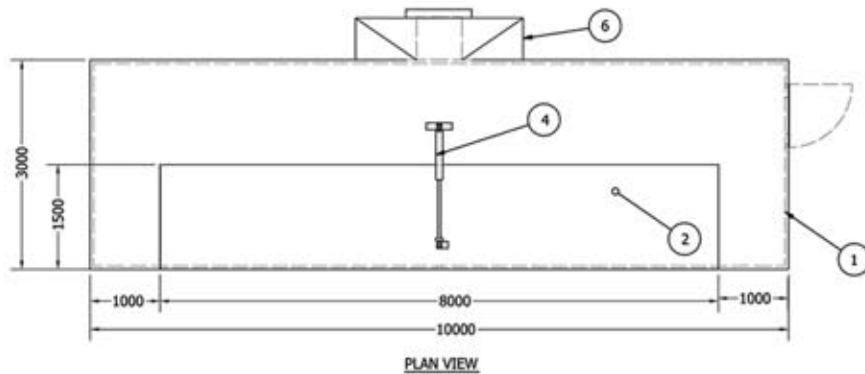
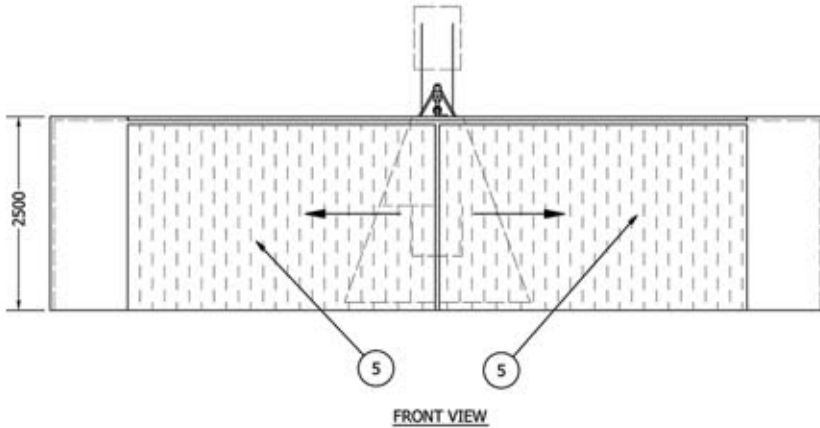


Spray Paint Booth with Forklift Access

Features

1. Infra red automatic roof opening
2. Sizing can be built in any design
3. Separate extraction to Booth (Optional)
4. Broken filter monitors (Optional)
5. Built to Australian standards
6. Custom modification.
7. Powder coating booths available (including robotic booths)



VIRGIN
enVironMENTAL

Dust Collection & Filtration Services

P 1300 724 438 F 1300 655 105
E info@virginenvironmental.com.au
A PO Box 697 Burpengary Q 4505

www.virginenvironmental.com.au